

- SENSOR DATA
- WIFI
- LAN
- 12V
- POWER FROM BATTERY

ON  LAN RESET 

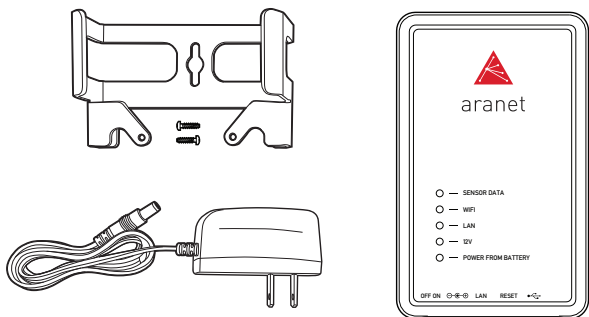


aranet

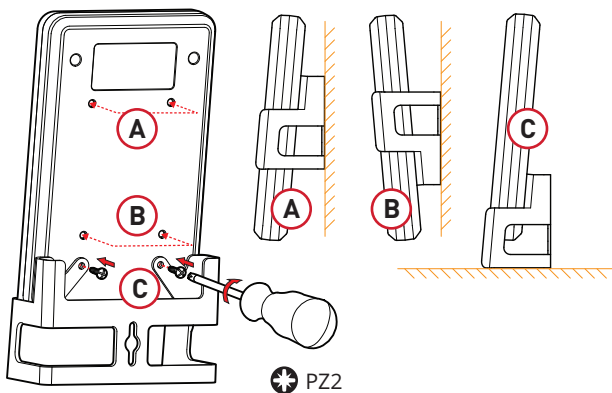
Quick Start Guide

Aranet PRO

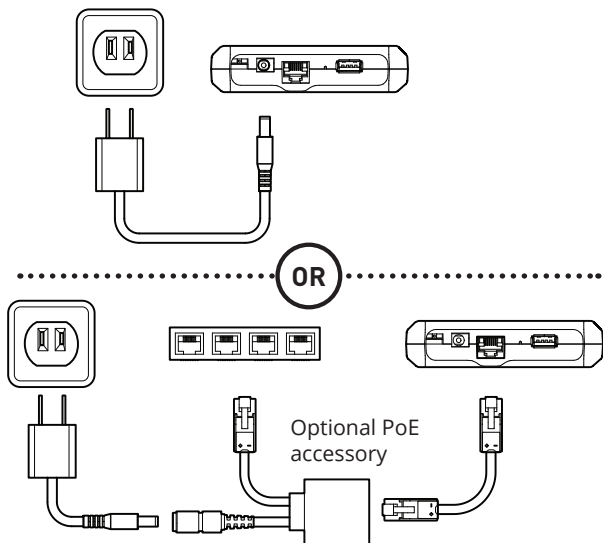
1. Check the contents of the box



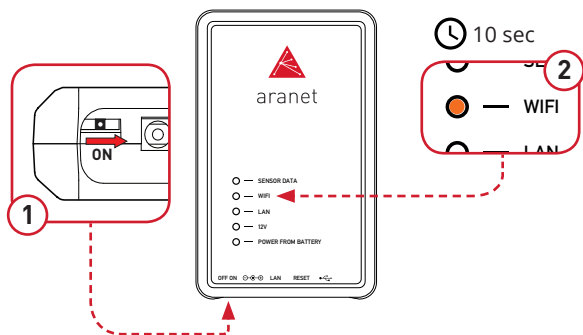
2. Attach the device to the mount



3. Connect power to the device




4. Turn the device on

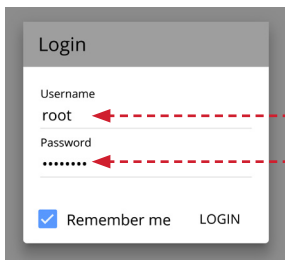


5. Connect to the device

 WiFi SSID "Aranet-*****" 1

 http://192.168.206.100 2

3



THE DEFAULT ADMINISTRATOR LOGIN

Username: **root**

Password: **changeme**

6. Configure the device



Change your password, modify and add users in the **Users** setting section.



Set the device time in the **System > Time** setting section.



Scan the availability of the radio channel in the **Sensors > Radio** setting section.



Pair your sensors by pressing the **Add sensor** button in the **Sensors > Sensors** setting section.



Enter the **Notifications** setting section, to configure your sms and/or e-mail notifications.

7. Additional resources

- A** To view Aranet PRO User's Guide visit
<https://aranet.com/downloads/>
- B** To view Terms&Conditions visit
<https://aranet.com/terms-and-conditions/>
- C** To view Returns&Guarantees visit
<https://aranet.com/returns-guarantees/>
- D** To fill RMA form visit
<https://aranet.com/rma/>

The information presented in this guide is the property of SAF Tehnika, JSC. No part of this document may be reproduced or transmitted without proper permission from SAF Tehnika, JSC.

The specifications or information contained in this document are subject to change without notice due to continuing introduction of design improvements. If there is any conflict between this document and compliance statements, the latter will supersede this document.

SAF Tehnika, JSC has no liability for typing errors in this document or damages of any kind that result from the use of this document.

To get up to date information about accessories and their availability, please contact sales representative.






Français



- 1 Vérifiez le contenu de la box
 - 2 Attacher l'appareil à la monture
 - 3 Connectez l'alimentation à l'appareil / Accessoire optionnel de PoE
 - 4 Allumez l'appareil
 - 5 Connectez à l'appareil
 - 6 Configurer l'appareil
- 👤 **Changez votre mot de passe**, modifiez et ajoutez des utilisateurs dans la section **Utilisateurs**.
 - 🕒 Définissez l'heure de l'appareil dans la section **Système > Temps**.
 - 📶 Parcourez la disponibilité du canal radio dans la section **Capteurs > Radio**.
 - ⊕ Associez vos capteurs en appuyant sur le bouton **Ajouter un capteur** dans la section **Capteurs > Capteurs**.
 - ✉ Entrez dans la section **Notifications** pour configurer vos notifications par SMS et / ou e-mail.
- 7 Ressources additionnelles
- 7A** Pour voir le guide de l'utilisateur Aranet PRO, veuillez visiter <https://aranet.com/downloads/>
- 7B** Pour voir les termes et conditions, veuillez visiter <https://aranet.com/terms-and-conditions/>
- 7C** Pour voir les retours et les garanties, veuillez visiter <https://aranet.com/returns-guarantees/>
- 7D** Pour remplir le formulaire RMA, veuillez visiter <https://aranet.com/rma/>






Español



- 1 Verifique el contenido de la caja
- 2 Adjunte el dispositivo al soporte
- 3 Conecte el dispositivo a la energía / Accesorio opcional PoE
- 4 Encienda el dispositivo
- 5 Conéctese al dispositivo
- 6 Configura el dispositivo
-  **Cambie su contraseña**, modifique y agregue usuarios en la sección Configuración de **Usuarios**.
-  Configure la hora del dispositivo en la sección Configuración del **Sistema > Tiempo**.
-  Escanee la disponibilidad del canal de radio en la sección **Sensores > Configuración de Radio**.
-  Empareje sus sensores presionando el botón **Añadir sensor** en la sección de configuración **Sensores > Sensores**.
-  Ingrese a la sección Configuración de **Notificaciones** para configurar sus sms y / o notificaciones por correo electrónico.
- 7 Recursos adicionales
- 7A** Para ver la Guía del usuario de Aranet PRO, visite <https://aranet.com/downloads/>
- 7B** Para ver los términos y condiciones, visite <https://aranet.com/terms-and-conditions/>
- 7C** Para ver Devoluciones y garantías, visite <https://aranet.com/returns-guarantees/>
- 7D** Para completar el formulario de RMA, visite <https://aranet.com/rma/>

Portugueses



- 1 Verifique o conteúdo da caixa
- 2 Anexar o dispositivo ao suporte
- 3 Conecte o dispositivo à energia elétrica / Acessório opcional PoE
- 4 Ligue o aparelho
- 5 Conecte-se ao dispositivo
- 6 Configurar o dispositivo
-  **Utilizadores**, modifique e adicione usuários na seção Configuração do **usuário**.
-  Defina a hora do dispositivo na seção **Sistema > Hora**.
-  Analise a disponibilidade do canal de rádio na seção **Sensores > Rádio**.
-  Emparelhe seus sensores pressionando o botão **Adicionar sensor** na seção de configuração **Sensores > Sensores**.
-  Entre na seção de configuração de **Notificações** para configurar suas notificações por SMS e / ou e-mail.
- 7 Recursos adicionais
- 7A** Para ver o Guia do Usuário do Aranet PRO, visite <https://aranet.com/downloads/>
- 7B** Para ver os Termos e Condições, visite <https://aranet.com/terms-and-conditions/>
- 7C** Para visualizar Devoluções e Garantias, visite <https://aranet.com/returns-guarantees/>
- 7D** Para preencher o formulário de RMA, visite <https://aranet.com/rma/>

www.aranet.com